



SANTS سانس جروب GROUP

BRINGING YOUR DREAMS TO REALITY

Light up the world

- 📍 Cairo, EGYPT. 3 Abou Tamam st., Hadayak El Kobba. (+2) 02 233 023 99 (+2) 01 22 22 00 787
- 📍 Shenzhen, CHINA. 1709B Saige st., Hua Qlang Bel, Futian District.
- 📍 Kowloon, Hong Kong. 5/f Hang Pont Commercial Building ., 31 Tonkin st., Cheung Sha Wan.
- 📍 Vietnam : 0084-1688370651 📍 Malaysia : (+6)13416407902 📍 Kuwait : (+9)6560617291 📍 Sudan : (+2)49910745498



www.santsgroup.com



info@santsgroup.com

High Level Aluminum Led Spot Lamp 12V/24V DC 90-260V AC 50-60Hz

W	Lm	CCT	Ra	Base	Angle	Size	MTR	CBCP	EQV
10W	700lm	2700-6500K	>80	GU5.3/GU10	45°	Φ50*62mm/ Φ50*72mm	Aluminum die-casting	1200cd	50W Halogenas
10W	700lm	2700-6500K	>80	GU5.3/GU10	25°	Φ50*50mm/ Φ50*58mm	Aluminum die-casting	1900cd	50W Halogenas
8W	560lm	2700-6500K	>80	GU5.3/GU10	45°	Φ50*50mm/ Φ50*58mm	Aluminum die-casting	960cd	50W Halogenas
8W	560lm	2700-6500K	>80	GU5.3/GU10	25°	Φ50*50mm/ Φ50*58mm	Aluminum die-casting	1500cd	50W Halogenas
7W	500lm	2700-6500K	>80	GU5.3/GU10	45°	Φ50*50mm/ Φ50*58mm	Aluminum die-casting	700cd	50W Halogenas
7W	500lm	2700-6500K	>80	GU5.3/GU10	25°	Φ50*50mm/ Φ50*58mm	Aluminum die-casting	1450cd	50W Halogenas
5W	350lm	2700-6500K	>80	GU5.3/GU10	45°	Φ50*50mm/ Φ50*58mm	Aluminum die-casting	450cd	50W Halogenas
5W	350lm	2700-6500K	>80	GU5.3/GU10	25°	Φ50*50mm/ Φ50*58mm	Aluminum die-casting	650cd	50W Halogenas
8W	560lm	2700-6500K	>80	GU5.3/GU10	45°	Φ50*50mm/ Φ50*58mm	Aluminum die-casting	960cd	50W Halogenas
7W	500lm	2700-6500K	>80	GU5.3/GU10	45°	Φ50*50mm/ Φ50*58mm	Aluminum die-casting	700cd	50W Halogenas
7W	500lm	2700-6500K	>80	GU5.3/GU10	25°	Φ50*50mm/ Φ50*58mm	Aluminum die-casting	1450cd	50W Halogenas
3W	120lm	2700-6500K	>80	MR11/GU10	24°	Φ35*40mm/ Φ35*46mm	Aluminum die-casting	517cd	20W Halogenas
3W	120lm	2700-6500K	>80	GU5.3/GU10/E27	25°	Φ35*45mm/ Φ35*55mm	Aluminum	517cd	20W Halogenas



Economic LED Lamp 12V/24V DC 90-260V AC 50-60HZ

W	Lm	CCT	Ra	Base	Angle	Size	MTR	CBCP	EQV
6W	420lm	2700-6500K	>80	GU10	25°	Φ50*56mm	pc	912cd	50W Halogenas
4W	280lm	2700-6500K	>80	GU10	25°	Φ50*56mm	pc	760cd	50W Halogenas
3W	250lm	2700-6500K	>80	E27	120°±2°	Φ39*73mm	Aluminum	/	20W Incandescentes
5W	420lm	2700-6500K	>80	E27	120°±2°	Φ50*88mm	Aluminum	/	40W Incandescentes
7W	580lm	2700-6500K	>80	E27	120°±2°	Φ63*105mm	Aluminum	/	40W Incandescentes
9W	760lm	2700-6500K	>80	E27	120°±2°	Φ80*115mm	Aluminum	/	60W Incandescentes
8W	750lm	2700-6500K	>80	GU10/E27	120°±2°	Φ111*65mm	Aluminum	/	45W Incandescentes
8W	750lm	2700-6500K	>80	E27	120°±2°	Φ95*95mm	Aluminum	/	45W Incandescentes
8W	750lm	2700-6500K	>80	E27	120°±2°	Φ125*135mm	Aluminum	/	100W Incandescentes
4W	320lm	2700-6500K	>80	GU10	120°±2°	Φ50*55mm	Aluminum	/	50W Incandescentes
2W	150lm	2700-6500K	>80	MR11/GU10	120°±2°	Φ35*35mm/ Aluminum Φ35*40mm	/	/	20W Incandescentes



Application: Hotel, Museumms ,Restaurants ,Cafes, Office, Library, Home Lighting



Commercial LED Spot Lamp 12V/24V DC 100-240V AC 50-60Hz

W	Lm	CCT	Ra	Base	Angle	Size	MTR	CBCP	EQV
6W	420lm	2700-6500K	>80	B15/GU10	24°	Φ70*60mm	Aluminum	912cd	50W Halogenas
12W	850lm	2700-6500K	>80	GX53/GU10	24°	Φ111*57mm	Aluminum	3216cd	50W Halogenas
12W	850lm	2700-6500K	>80	GX53/GU10	10°	Φ111*57mm	Aluminum	12000cd	50W Halogenas
8W	600Lm	2700-6500K	>80	E27	36°	Φ58*47*39mm	PC	700cd	50W Halogenas
12W	900lm	2700-6500K	>80	E27	36°	Φ42*42*22mm	PC	1200cd	50W Halogenas
18W	1400lm	2700-6500K	>80	E27	36°	Φ52*22*22mm	PC	1900cd	75W Halogenas



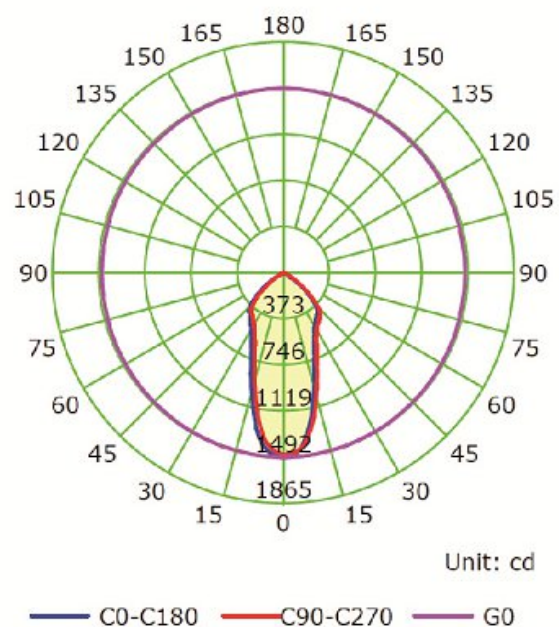
Application:

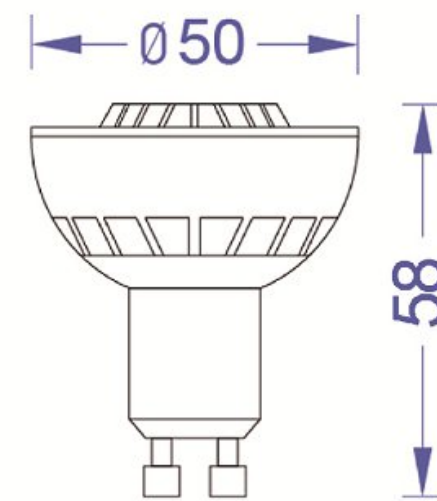
Hotel, Museums, Restaurants, Cafes, Office, Library, Home Lighting.

Применение:

Гостиница, музеи, рестораны, кафе, офис, библиотека,
Освещение для дома

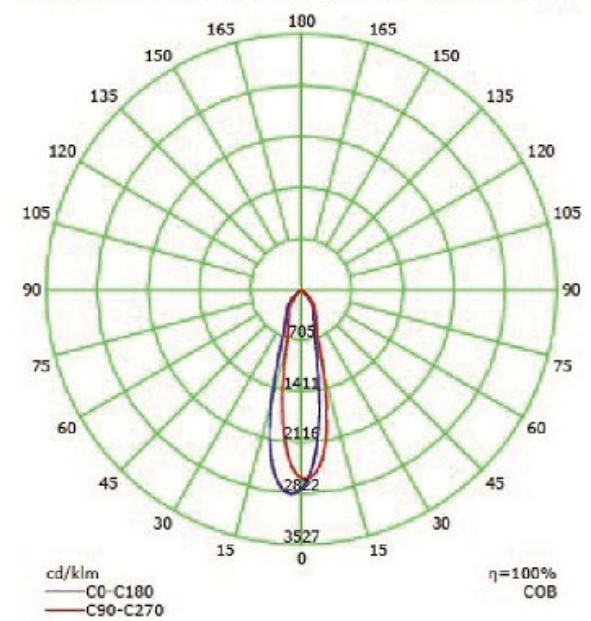
Luminous Intensity Distribution Curve





Drawing

Luminous Intensity Distribution Curve(cd/klm)



Description

Special circuit and good heat dissipation to achieve High luminous efficacy, long life and still save energy.
 Специальная схема и хорошая теплоотдача для достижения Высокая световая отдача, длительный срок службы и еще экономить энергию

Features

Aluminium alloy material, small size, beautiful appearance
 Good ventilation by both vent and cooling fins.
 New LED technology to ensure continuous light output and stable color rendering
 Серия F стрелянный свет LED - Это новый тип внутренних осветительных приборов применяются новую светодиодную технологию, предусмотренны исключительными цепью тока, С хорошей экзотермичностью и высокой светоотдачей, энергосбережения.

High Quality **NEW** Led spot lamp 12V/24V DC 100-240V AC 50-60Hz

W	Lm	CCT	Ra	Base	Angle	Size	MTR	CBCP	EQV
5W	350lm	2700-6500K	>80	GU5.3/GU10	45°	Φ50*50mm/ Φ50*58mm	Aluminum die-casting	450cd	50W
5W	350lm	2700-6500K	>80	GU5.3/GU10	25°	Φ50*50mm/ Φ50*58mm	Aluminum die-casting	950cd	50W
6W	400lm	2700-6500K	>80	GU5.3/GU10	45°	Φ50*50mm/ Φ50*58mm	Aluminum die-casting	680cd	50W
6W	400lm	2700-6500K	>80	GU5.3/GU10	25°	Φ50*50mm/ Φ50*58mm	Aluminum die-casting	1200cd	50W
7W	420lm	2700-6500K	>80	GU5.3/GU10	45°	Φ50*50mm/ Φ50*58mm	Aluminum die-casting	700cd	50W
7W	420lm	2700-6500K	>80	GU5.3/GU10	25°	Φ50*50mm/ Φ50*58mm	Aluminum die-casting	1450cd	50W
7W	420lm	2700-6500K	>80	GU5.3/GU10	45°	Φ50*50mm/ Φ50*58mm	Aluminum die-casting	700cd	50W
7W	420lm	2700-6500K	>80	GU5.3/GU10	25°	Φ50*50mm/ Φ50*58mm	Aluminum die-casting	1450cd	50W
7W	420lm	2700-6500K	>80	GU5.3/GU10	60°	Φ50*50mm/ Φ50*58mm	Aluminum die-casting	320cd	50W

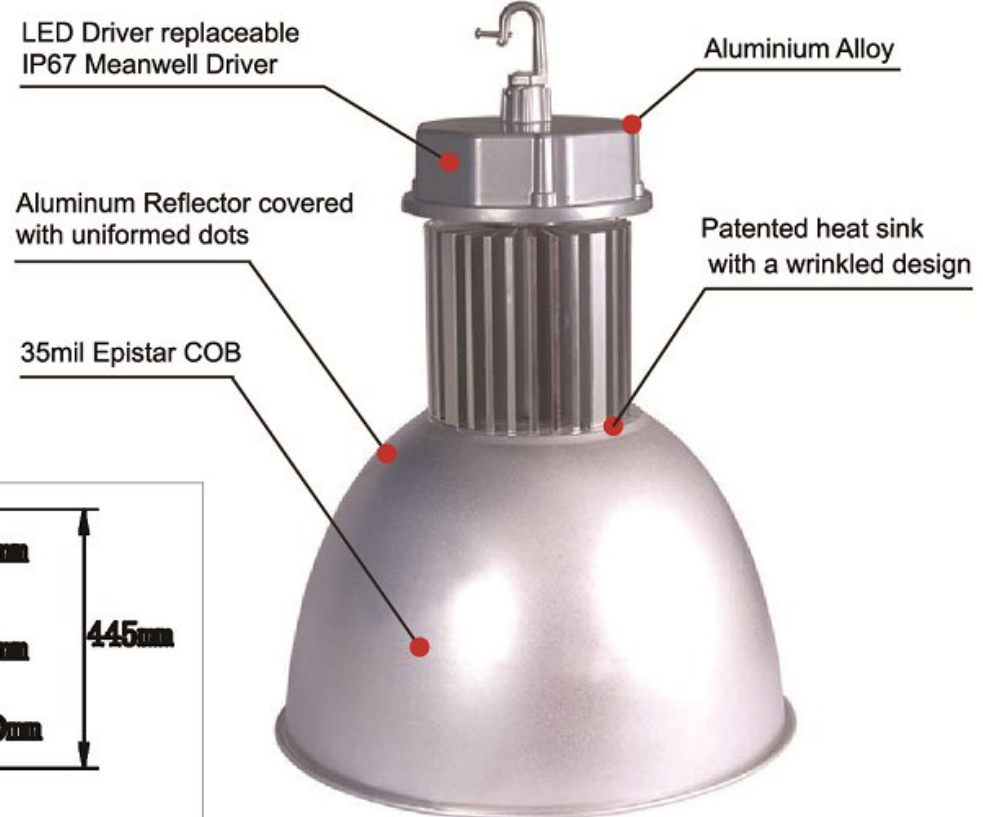
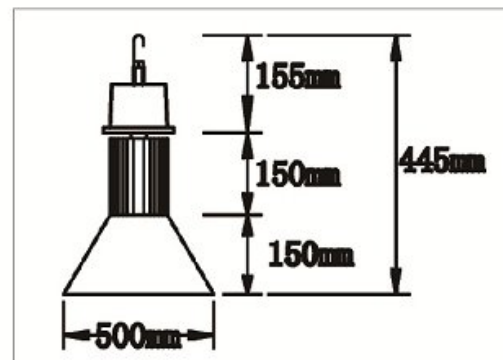
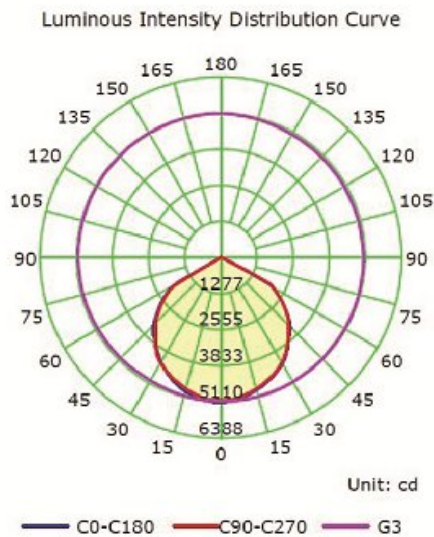
LED High Bay light 12V/24V DC 90-260V AC 50-60Hz

W	Lm	CCT	Ra	Length	Diameter	EQV
10W	750-780lm	2700-6500K	>80	637/722/725	415/500/503	60W Incandescentes
20W	1500-1560lm	2700-6500K	>80	637/722/725	415/500/503	100W Incandescentes
30W	2250-2340lm	2700-6500K	>80	637/722/725	415/500/503	150W Incandescentes
40W	3000-3120lm	2700-6500K	>80	677/762/765	415/500/503	165W HID
50W	3750-3900lm	2700-6500K	>80	677/762/765	415/500/503	165W HID
60W	4500-4680lm	2700-6500K	>80	727/812/815	415/500/503	260W HID
75W	5625-5850lm	2700-6500K	>80	757/842/845	415/500/503	260W HID
100W	7500-7800lm	2700-6500K	>80	757/842/845	415/500/503	125W Mercury Vapor
125W	9375-9750lm	2700-6500K	>80	757/842/845	415/500/503	125W Mercury Vapor
150W	11250-11700lm	2700-6500K	>80	757/842/845	415/500/503	120W Sodium Vapor
180W	13500-14040lm	2700-6500K	>80	757/842/845	415/500/503	265W Metal Halide
200W	15000-15600lm	2700-6500K	>80	757/842/845	415/500/503	265W Metal Halide

Strong Point

High quality aluminium alloy with special surface can work under high temperature, humid environment, severe environment and won't be corroded.

Compact appearance; good decorative effect; easy to install and dismantle. Easy to maintain and can be suspended directly. Green, No pollution, No lead or mercury.



LED E40 Corn light 12V/24V DC 100-240V AC

W	Lm	CCT	Ra	Length	Diameter	EQV
12W	1260lm±50lm	2700-6500K	>80	175mm	70mm	100W Incandescentes
16W	1650lm±50lm	2700-6500K	>80	185mm	70mm	100W Incandescentes
20W	2100lm±50lm	2700-6500K	>80	205mm	70mm	150W Incandescentes
24W	2520lm±50lm	2700-6500K	>80	225mm	70mm	150W Incandescentes
27W	2800lm±100lm	2700-6500K	>80	210mm	92.8mm	200W Incandescentes
36W	3780lm±100lm	2700-6500K	>80	240mm	92.8mm	165W HID
45W	4700lm±100lm	2700-6500K	>80	270mm	92.8mm	260W HID
54W	5550lm±100lm	2700-6500K	>80	270mm	92.8mm	260W HID

